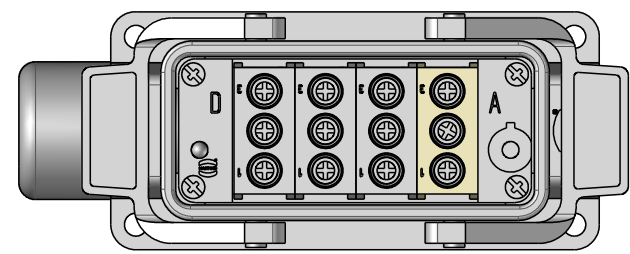
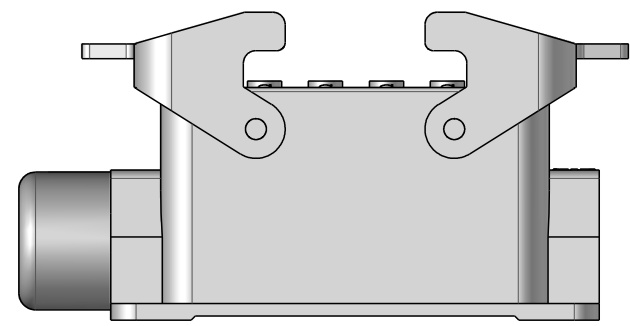
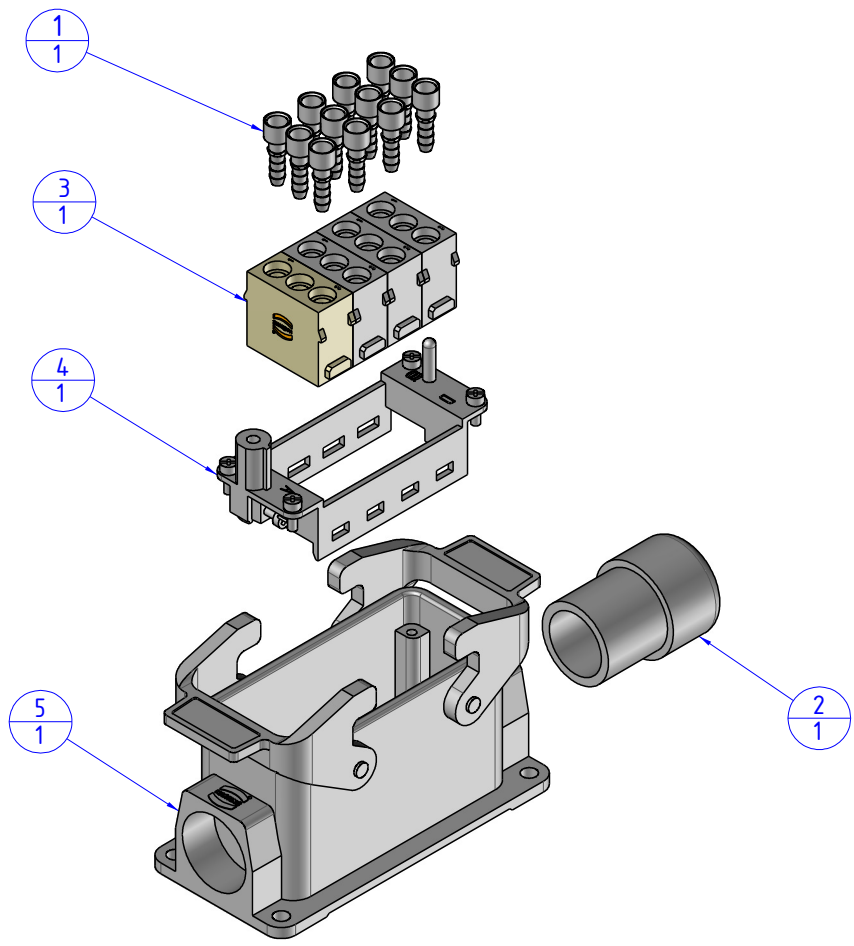


Item	Name	Q.ty
1	SCA.09140006258	12
2	PG21	1
3	SCA.09140034501	4
4	SCA.09140160361	1
5	SCA.09300161230	1



THE PROPERTY OF THE DRAWING IS ESTABLISHED BY LAW. IT IS FORBIDDEN TO PRODUCE OR SHOW IT TO THIRD PARTY, WITHOUT A WRITTEN AGREEMENT.

Format A3
UNI 936-76

		DESIGNED FROM	REVIEW
		FP SERVICES	A
GENERAL TOLERANCE	DESCRIPTION	DATE	WEIGHT
UNI - ISO 2768	CA.SCAR.12P00E	20/06/2019	0,000kg
CLASSE f		CODE	CA.SCAR.12P00E